

LMDH

Pro IP Camera



LMDHRP400

- Pro IP Dome
- 1/1.8" SONY Starvis Back-illuminated CMOS sensor
- H.264/H.264+/H.265/H.265+ Compression Method
- 3.6mm Fixed Lens
- IR Distance 20M Max.
- With Internal POE

www.longse.com

Data Subject To Change Without Notice

SPECIFICATION

Model NO.	LMDHRP400
Camera	
Image Sensor	1/1.8" SONY Starvis Back-illuminated CMOS sensor
Resolution	4MP
Effective Pixels	2712(H)*1538(V)
Compression	H.264/H.264+/H.265/H.265+/JPEG/AVI/MJPEG
Audio Compression	G711A/U,AAC
TV System	PAL/NTSC
Electronic Shutter Time	Auto: 1/3-1/100000Sec
Minimum Illumination	Color: 0.001Lux @ (F1.6, AGC ON), BW: 0 Lux with IR
S/N Ratio	60dB
Scanning System	Progressive
Video Output	Network
Reset Button	Optional
Lens	
Focal Length & FOV	3.6 mm, horizontal FOV 88°, vertical FOV 49°, diagonal FOV 100° 6 mm, horizontal FOV 59°, vertical FOV 34°, diagonal FOV 67°
Lens Type	Fixed focal lens, 3.6 and 6 mm optional
Focus Control	Fixed
Aperture	F1.6
Pixels	4MP
Night Vision	
Supplement Light	14μ x 12PCS
Supplement Light Distance	20M
Supplement Light Status	Auto Control
Supplement Light Power On	Smart, Manual & Timed mode
Network	
Ethernet	RJ-45 (10/100Base-T)
Wireless	N/A
Protocol	TCP/IP,IPv4/v6, ICMP, HTTP, HTTPS, FTP, DHCP, DNS, DDNS, RTP, RTSP, RTCP, PPPoE, NTP, SMTP, UDP, SNMP, Qos, 802.1x
ONVIF	Support ONVIF 19.12(Profile S/T/G)
P2P	YES
POE	Internal, Support IEEE 802.3af
Video Delay	0.3S (Within the Lan)
Main Stream 1	2688*1512@30fps
Main Stream 2	2560*1440@30fps
Main Stream 3	1920*1080@30fps 1280*720@30fps
Sub Stream 1	1280*720@30fps
Sub Stream 2	720*480@30fps
Sub Stream 3	352*288@30fps

Tri Stream	1280*720@30fps 720*480@30fps 352*288@30fps
IE Brower	IE8-11, Google Chrome, Firefox , Mac Safari
Smart Phone	iPhone, Android
AI Function	
Intelligent Analysis	Intrusion Detetion(based on human and Vehicle Detection), Line Cross Detetion(based on human and Vehicle Detection), Loiter Detetion(based on human detection), People Gather Detecion(based on human detection), Motion detection based on human detection, Upload face capture to FTP
Camera Features	
Day/Night	Color/ B&W (IR-CUT)
Image Config	Saturation/Brightness/Contrast /Sharpness, Mirror, 3D NR , White Balance,Anti Flicker, Video Tampering, HLC, Distortion
Full Color	N/A
Corridor Pattern	Support
Defog Mode	Support
ROI	Support
BLC	Support
WDR	140dB
Motion Detection	Support(support enable the detection based on human movement only)
Privacy Masking	3 Rectangular Zone
Recording Mode	NVR/CMS/Web
Language	Chinese Simplified, Chinese Traditional, English, Russian, Korean, Polish, French, Japanese, Spanish, Portuguese, Italian, Hebrew, Ukrainian, Arabic, Vietnamese, Thai, Hungarian
Interface	
Audio	Optional 1 Built-in MIC
Alarm	Optional 1 Channel Input/Ouput
SD Card Slot	Optional Internal, Support Max 1TB,Built in 4G Storage
RS485	N/A
General	
Housing	Metal , IP67 , IK10
Anti-cut Bracket	NO
IR Cut Filter	YES
Operation Temperature	-20℃ ~ +60℃ RH95% Max
Storage Temperature	-20℃ ~ +60℃ RH95% Max
Power Source	DC12V±10%, 650mA
Dimension	∅ 110 x 76(H) mm
Weight	450g

www.longse.com

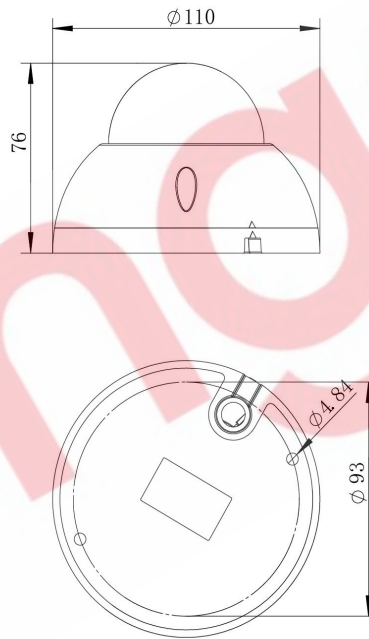
Data Subject To Change Without Notice

Longse

Technical Specifications

Model	LMDH
Material	Aluminum & SECC & PC
Dimension(WxHxD)	Φ110 x 76mm
Weight	450g (with packaging)
Color	Sand Grain White
Operating Temperature	-20°C ~ +60°C
Humidity	< 95% RH
Optional accessories	B173-01

Dimensions (mm)



www.longse.com

Data Subject To Change Without Notice